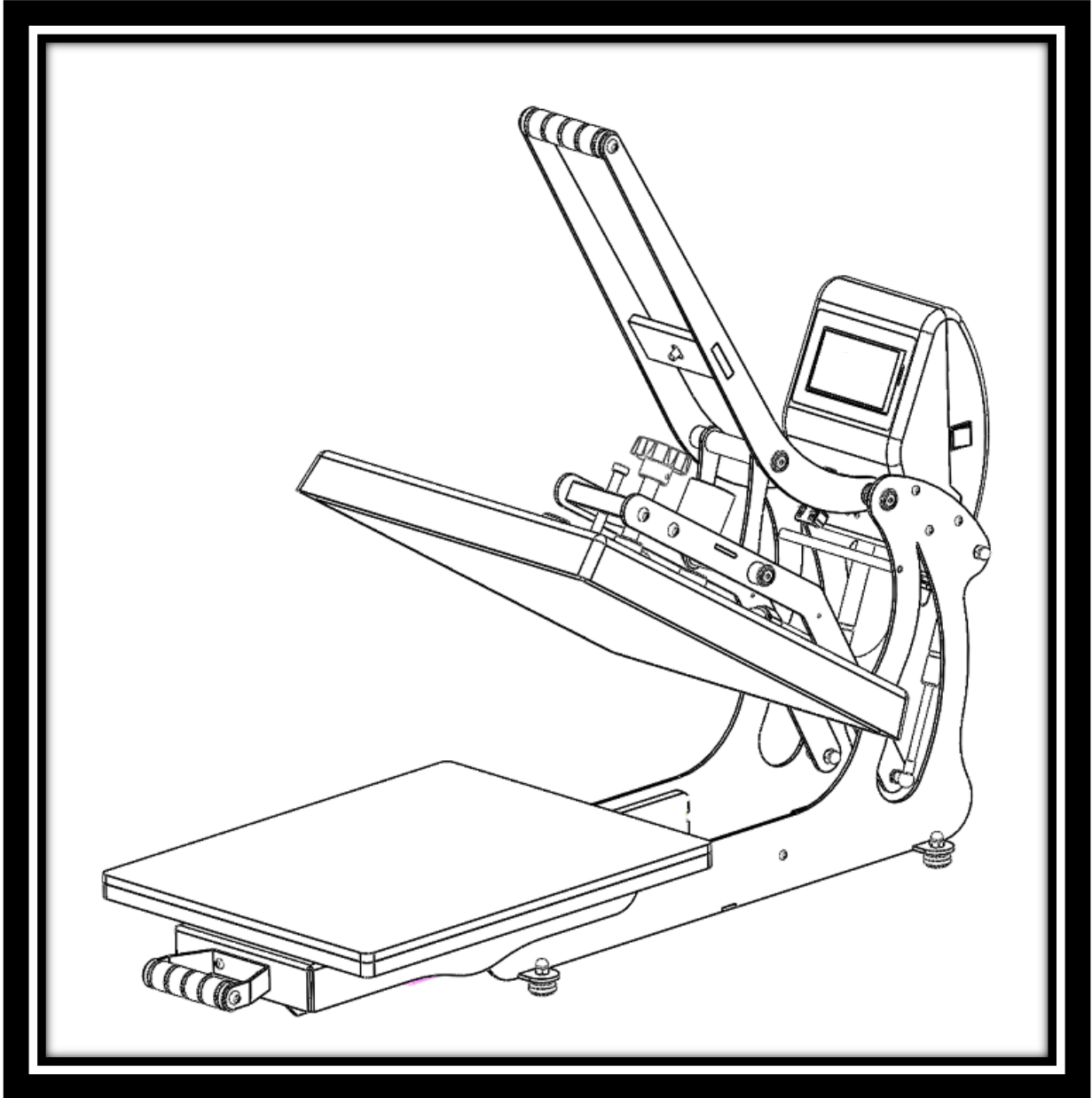
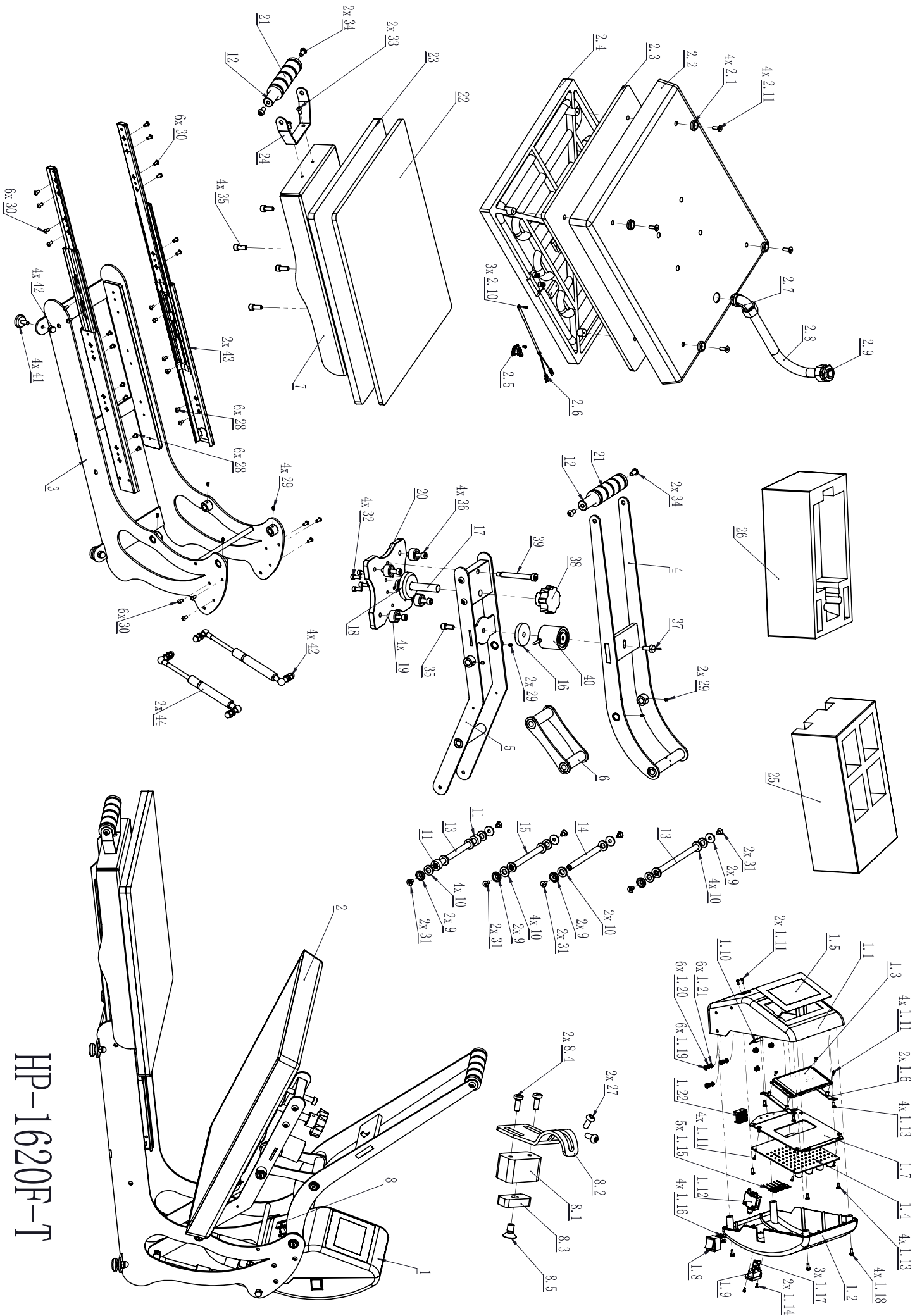


---

# HEAT PRESS

HP-1620F-T





HP-1620F-T

HP-1620F-T				
NO.	CODE	Part Name	UNIT	Qty.
1.1	5010100101	Touch Panel Front Cover	PCS	1
1.2	5010100102	Touch Panel Rear Cover	PCS	1
1.3	5010100103	Touch Panel - 5 Inch	PCS	1
1.4	5010100104	Circuit Board	PCS	1
1.5	5010100105	Screen Protector	PCS	1
1.6	5010100106	Screen Bracket	PCS	2
1.7	5010100107	Circuit Board Mounting Plate	PCS	1
1.8	80380901	Switch	PCS	1
1.9	80380802	AC Plug	PCS	1
1.10	80333620-250	Magnetic Switch GPS-23L - 250	PCS	1
1.11	80742306	M4*12 Philips Head Screw	PCS	8
1.12	803804018	Electric Current Overload Protector 18A	PCS	1
1.13	80740410	M4*10 Phillips Small Round Head Screw	PCS	8
1.14	80860329	M3*10 Phillips Flat Head Screw	PCS	2
1.15	80387401	Fork Insulated Terminal SVL2-4	PCS	5
1.16	80387120	6.3 Plug Spring Terminal FDFN2-250	PCS	4
1.17	80387601	4.8 Plug Spring Terminal FDFN2-187	PCS	3
1.18	80740450-12	M4*12 Philips Head Screw	PCS	4
1.19	80900501	Flat Cushion M5	PCS	6
1.20	80900518	Elastic Cushion M5	PCS	6
1.21	80900528	Nut M5	PCS	6
1.22	5010100104-01	Heat Dissipation Base	PCS	1
1.23	80742308	M4*12 Philips Head Screw	PCS	2
2.1	5050010025	Insulation Cushion	PCS	4
2.2	5020162001	Heating Plate Protecting Cover - 1620F	PCS	1
2.3	5020162002	Insulation Cotton - 1620F	PCS	1
2.4	5020162003	Heating Plate - 1620F	PCS	1
2.5	80330201	Overheat Protector KSD301-230 - Plate Type	PCS	1
2.6	80330202	Thermal Resistance PT100	PCS	1
2.7	80380303	Metal Hose Joint G1-2 Φ16MM - 90 Degree	PCS	1
2.8	80071601-300	Metal Hose Φ16MM-L300	PCS	1
2.9	80380302	Metal Hose Joint G1-2 Φ16MM	PCS	1
2.10	80742306	M4*12 Philips Head Screw	PCS	2
2.11	80746408	M4*8 Phillips Round Head Screw	PCS	1
2.12	80866520-BL	M5*20 Hexagon Flat Head Screw	PCS	4
3	5030162006	Body Assembly - 1620F-T	PCS	1
4	5030162002	Upper Lever Assembly - 1620F	PCS	1
5	5030162003	Lower Lever Assembly - 1620F	PCS	1
6	5030151504	Connecting Rod - 1515F	PCS	1
7	5030162005	Slide Out Platen Assembly - 1620F-T	PCS	1
8.1	5050020002	Magnet Base	PCS	1
8.2	5050030015	Sensor Plate	PCS	1
8.3	80080201	Square Magnet 20*10*5	PCS	1
8.4	80742306	M4*12 Philips Head Screw	PCS	4
8.5	80860408	M4*6 Phillips Flat Head Screw	PCS	1
9	5050010002	Decorating Piece	PCS	8
10	5050010003	Hinge Gasket	PCS	14
11	5050010004	Hinge Spacer	PCS	2
12	5050010005	Handle L117	PCS	2
13	5050010006	Shaft L180	PCS	2

14	5050010007	Shaft L115.5	PCS	1
15	5050010008	Shaft L133	PCS	1
16	5050010009	Rubber Cushion	PCS	1
17	5050010021	Bolt	PCS	1
18	5050010022	Flange Base	PCS	1
19	5050010026	Insulation Cap - M10	PCS	4
20	5050020010	Transfer Board - 2	PCS	1
21	5050040001	Foam Handle	PCS	2
22	50401620001	Silicone Cushion - 1620	PCS	1
23	50401620002	Platform Floor - 1620	PCS	1
24	5050030037	Handle Bracket	PCS	1
25	5050010028	Iron Block	PCS	1
26	80763508-BL	M5*8 Hexagon Round Head Screw	PCS	12
27	80763612-BL	M6*12 Hexagon Round Head Screw	PCS	4
28	80880506	Set Screw M5-L6	PCS	8
29	80763820-BL	M8*20 Hexagon Round Head Screw	PCS	4
30	80763512-BL	M5*12 Hexagon Round Head Screw	PCS	12
31	80866612-BL	M6*12 Hexagon Socket Head Screw	PCS	8
32	80813616-BL	M6*16 Hexagon Socket Head Cap Screw	PCS	4
33	80763516-BL	M5*16 Hexagon Round Head Screw	PCS	6
34	80763816-BL	M8*16 Hexagon Round Head Screw	PCS	4
35	80813830-BL	M8*30 Hexagon Socket Head Cap Screw	PCS	1
36	80814040-BL	M10*40 Hexagon Socket Head Cap Screw	PCS	4
37	80920908-20	Butterfly Type Bolt M8*20	PCS	1
38	80921201	Star Handle AM16*65	PCS	1
39	80924220	Shoulder Bolt D10-L80-M8	PCS	1
40	80320701	Solenoid 50*50	PCS	1
41	80277108-20	Foot M8-20	PCS	4
42	80900831	Nut with Cap M8	PCS	8
43	80017053-400	Slide Rail - L400	PCS	2
44	80060108-425	Gas Spring FHL62-M8-425	PCS	2
45	5060162001	Foam Packaging Box 1620 - Upper	PCS	1
46	5060162002	Foam Packaging Box 1620 - Lower	PCS	1